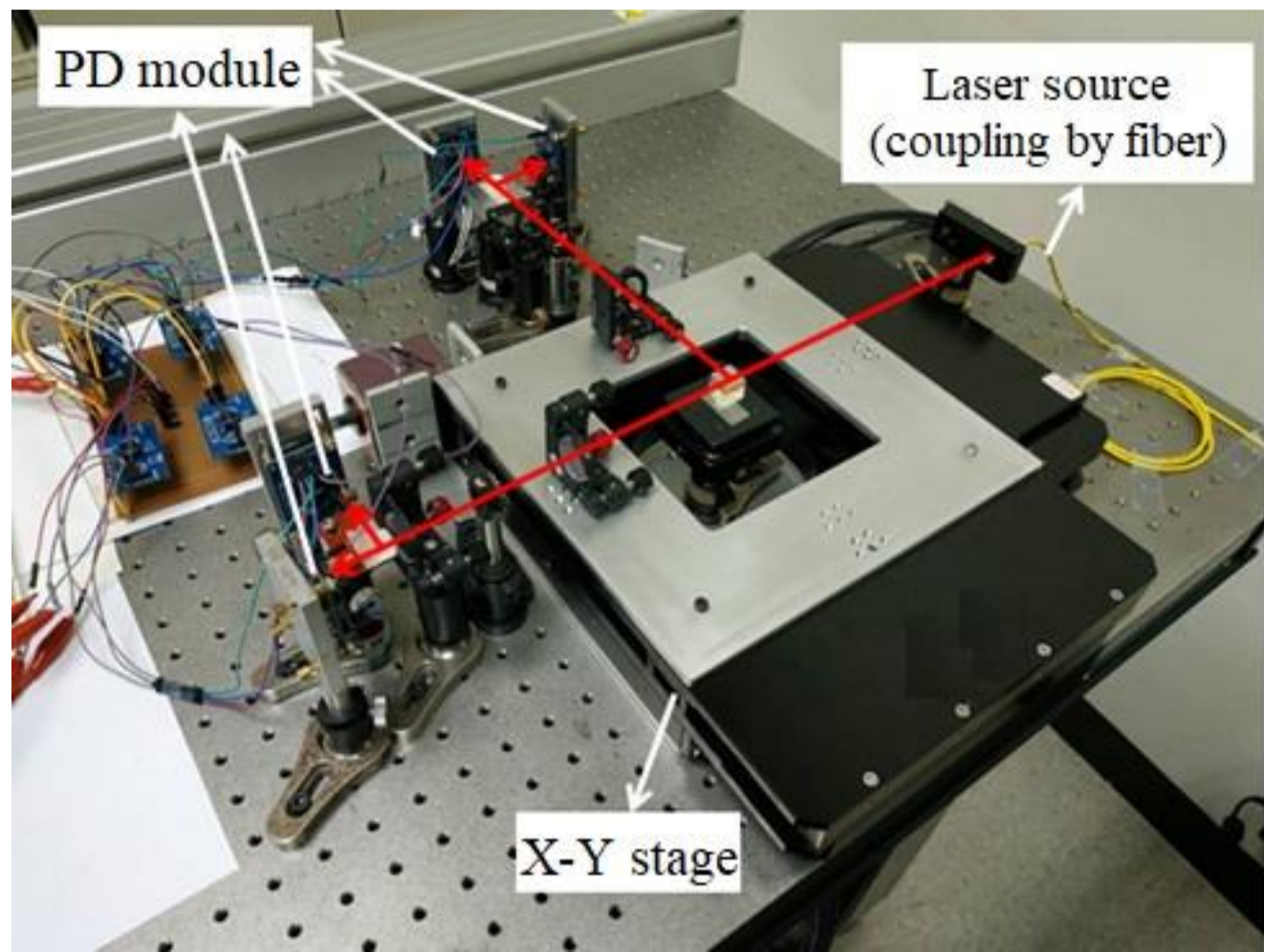


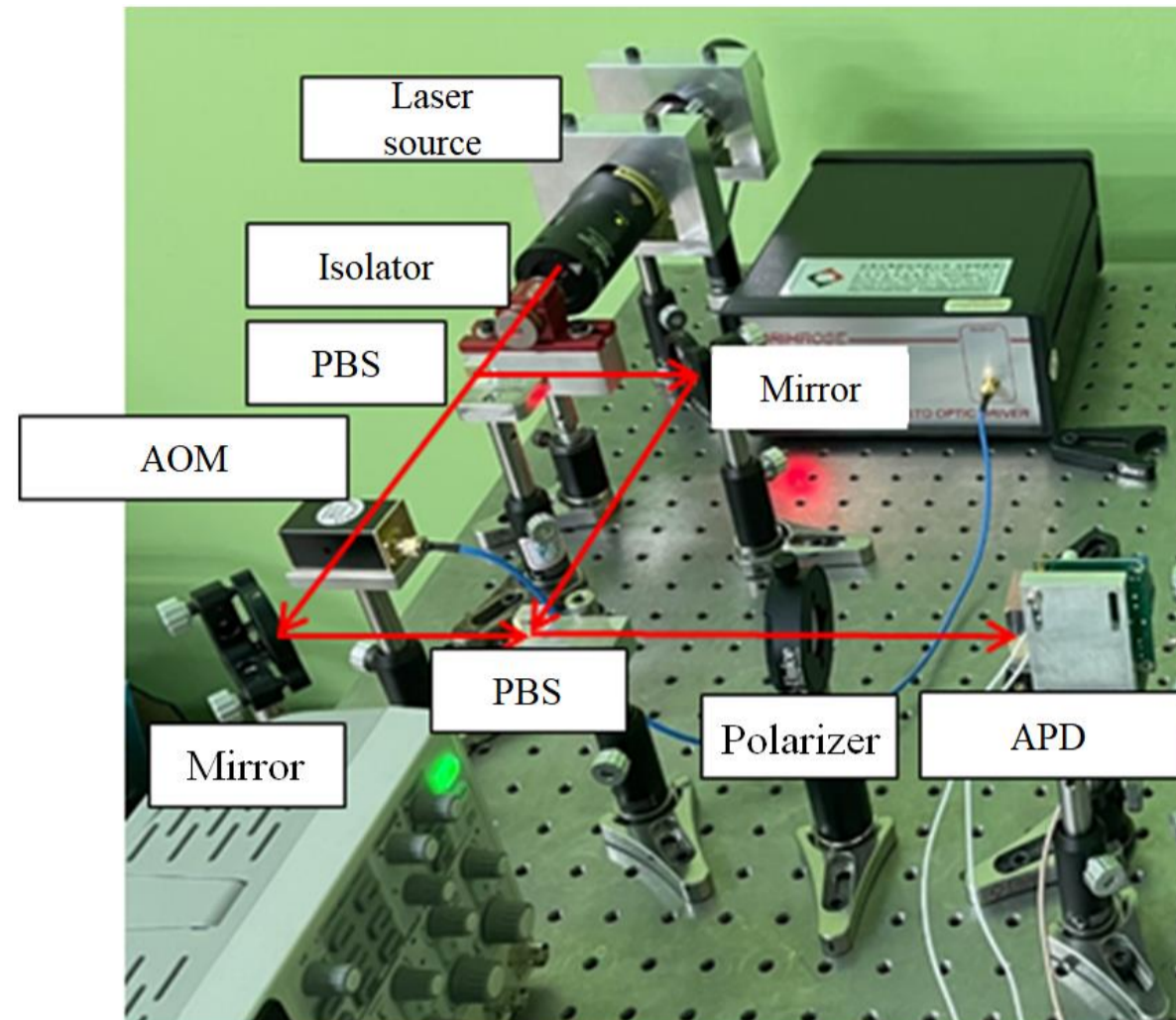


# 國立嘉義大學 機械與能源工程學系

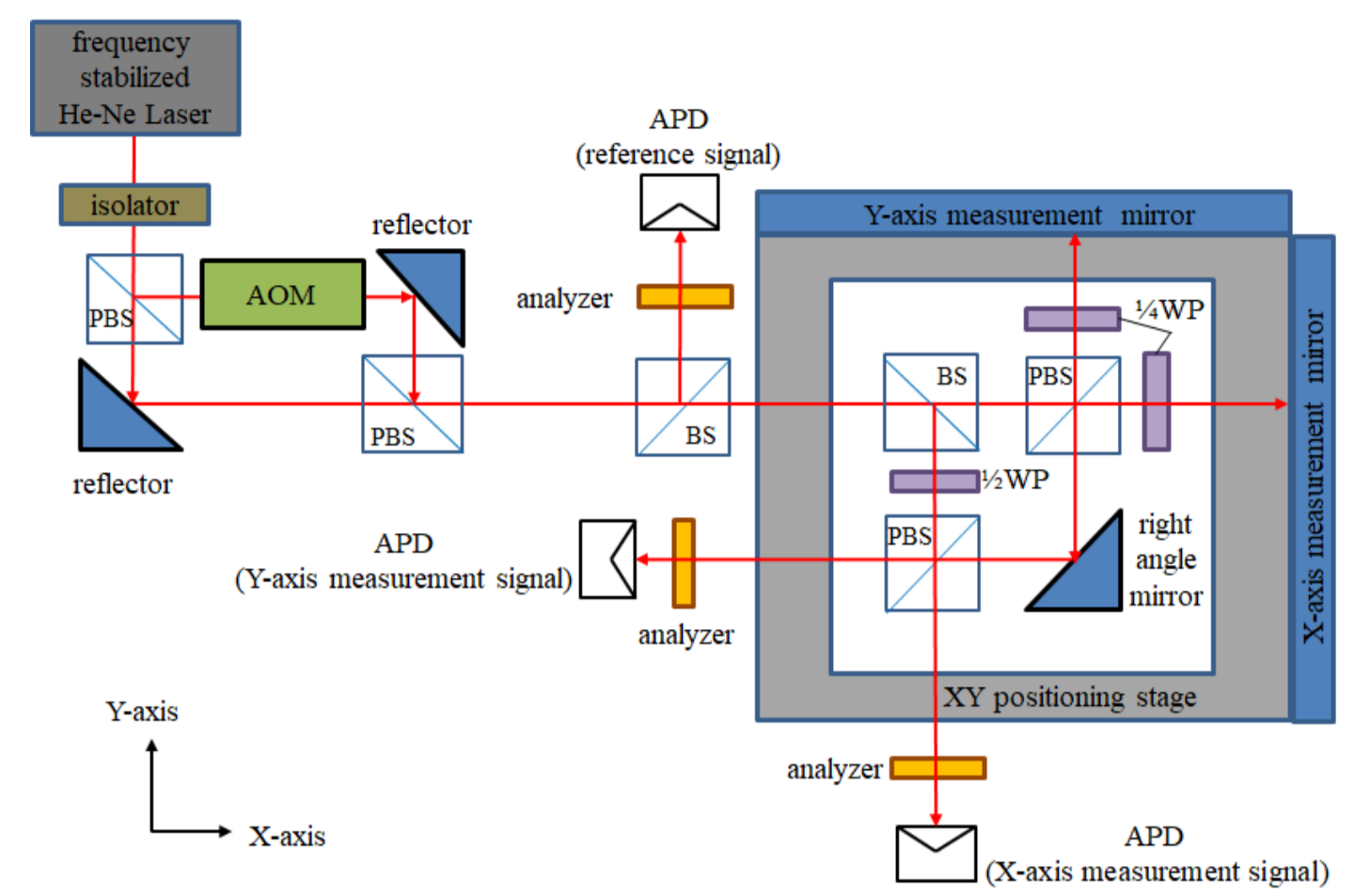
## 張中平 助理教授 研究室



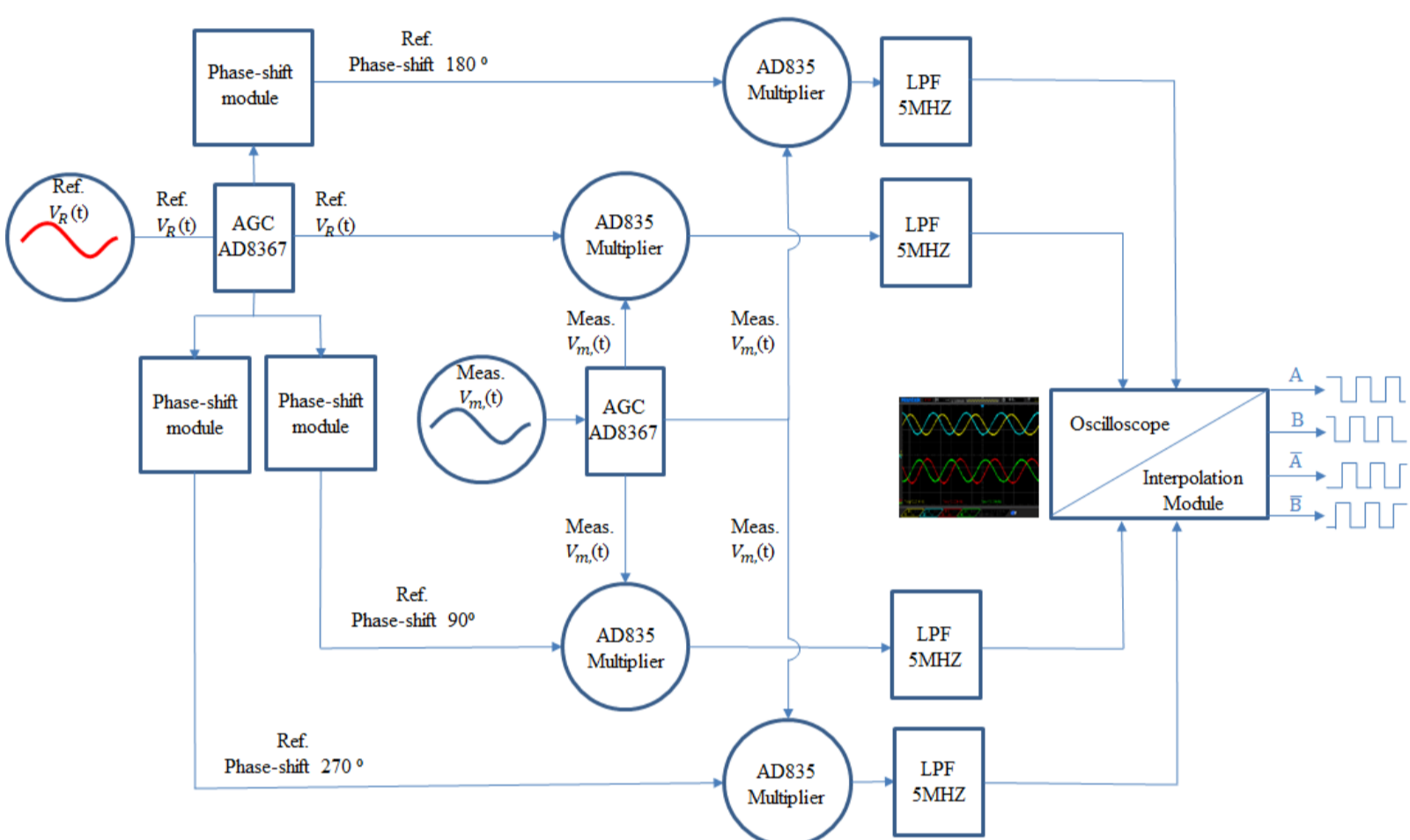
Abbe-error freed positioning stage



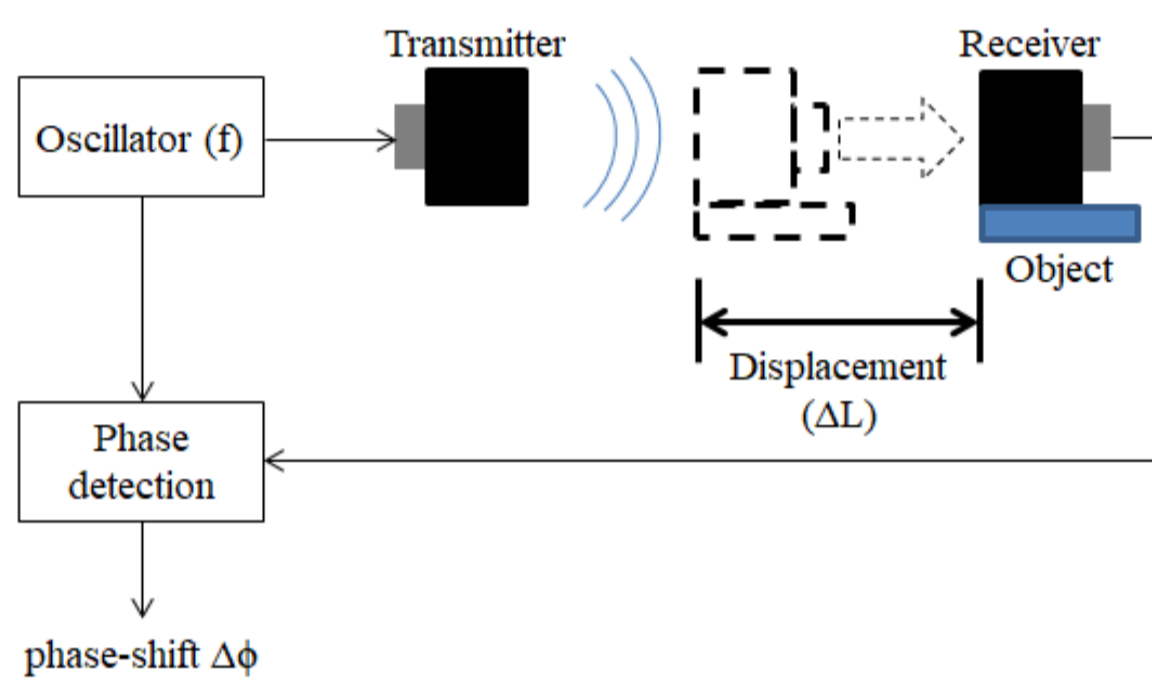
Heterodyne laser source



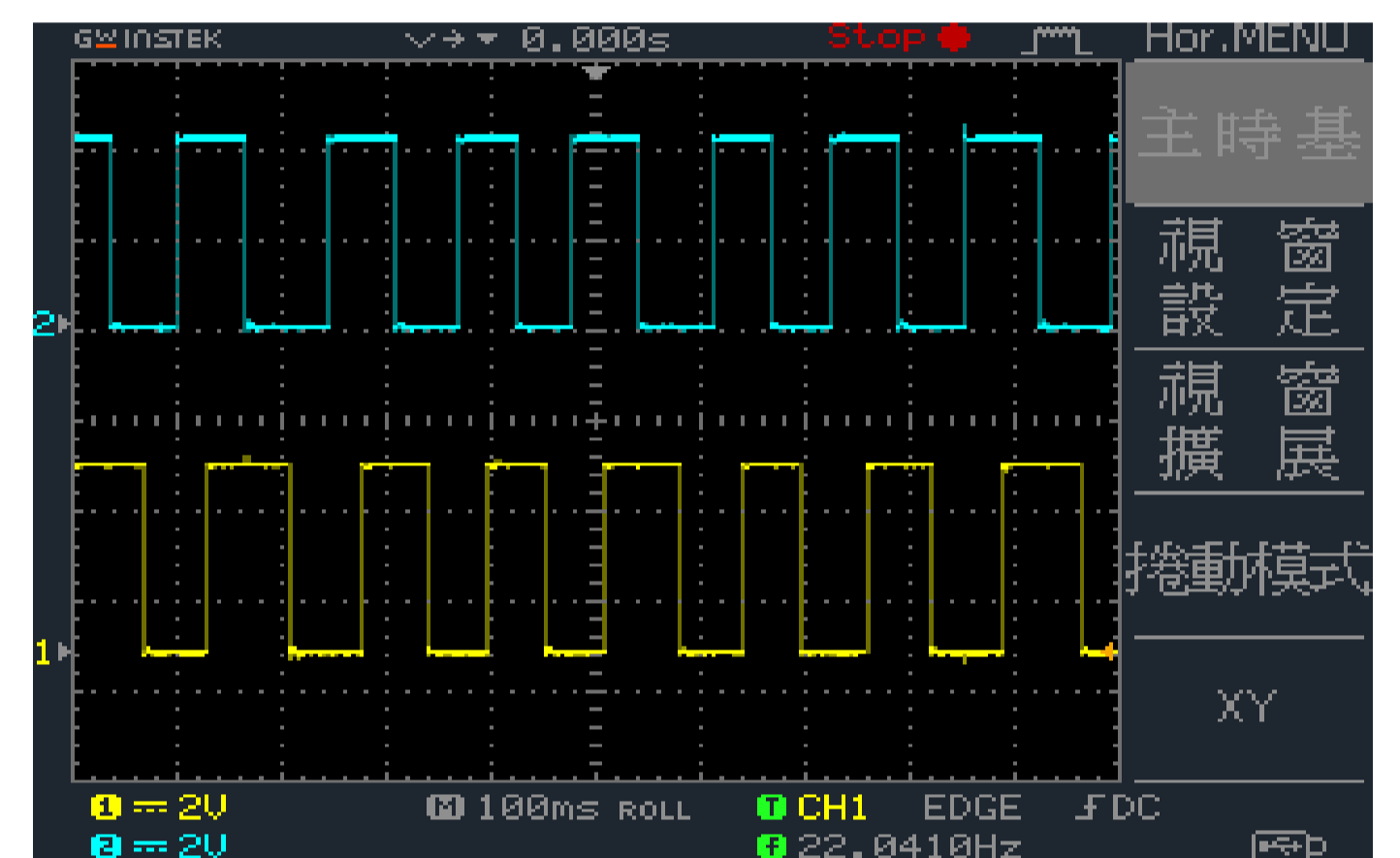
Heterodyne laser encoder system



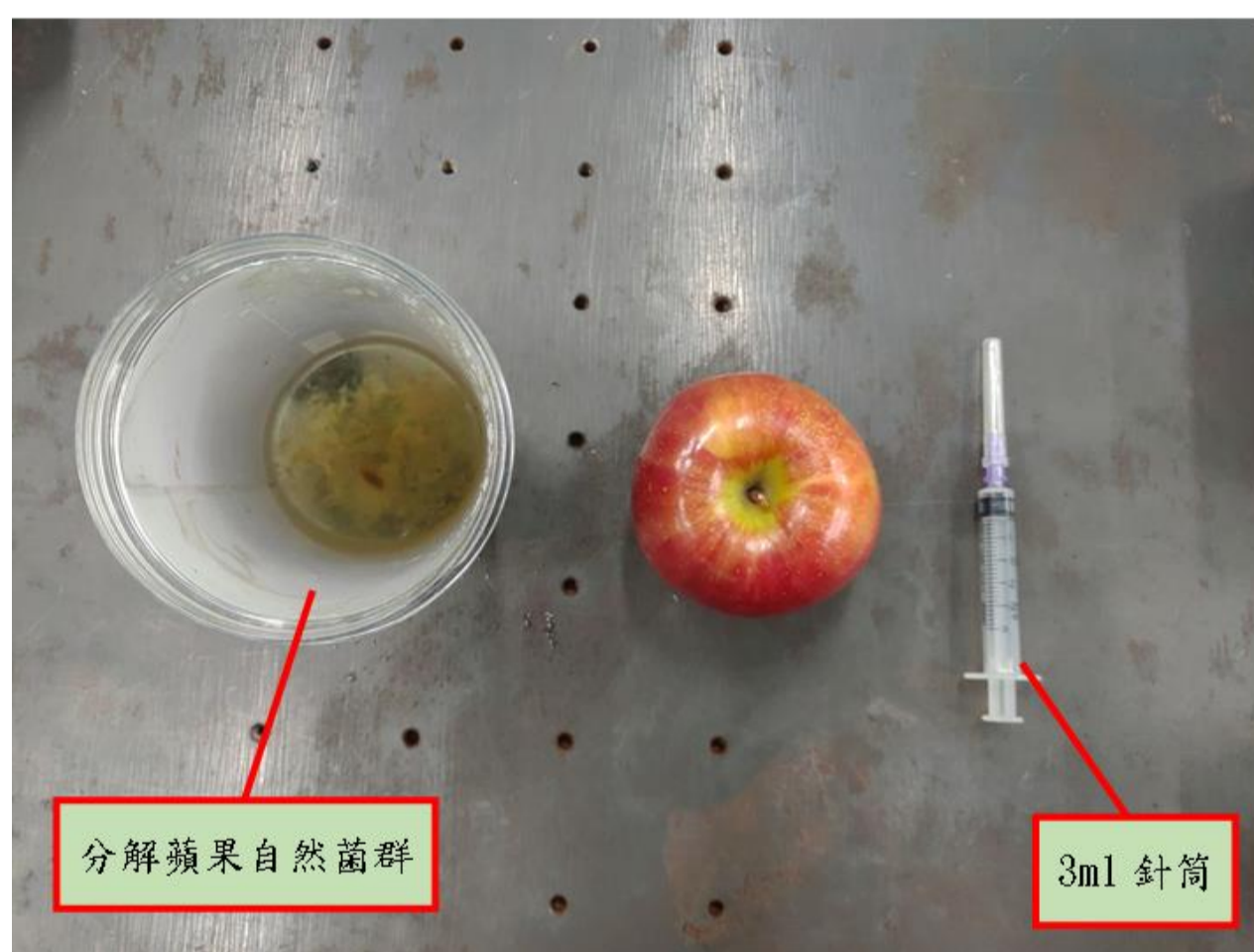
Lock-in amplifier



Acoustic encoder



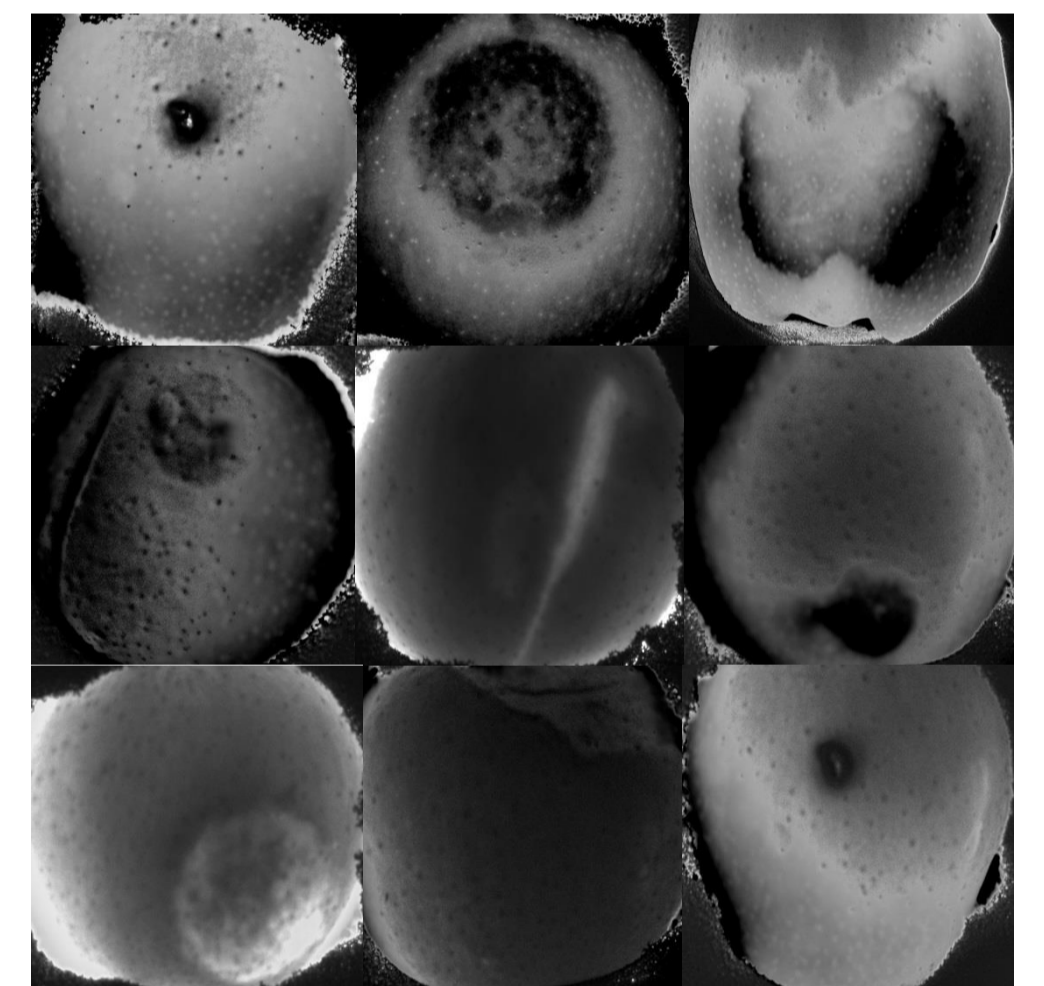
Encoding signal testing



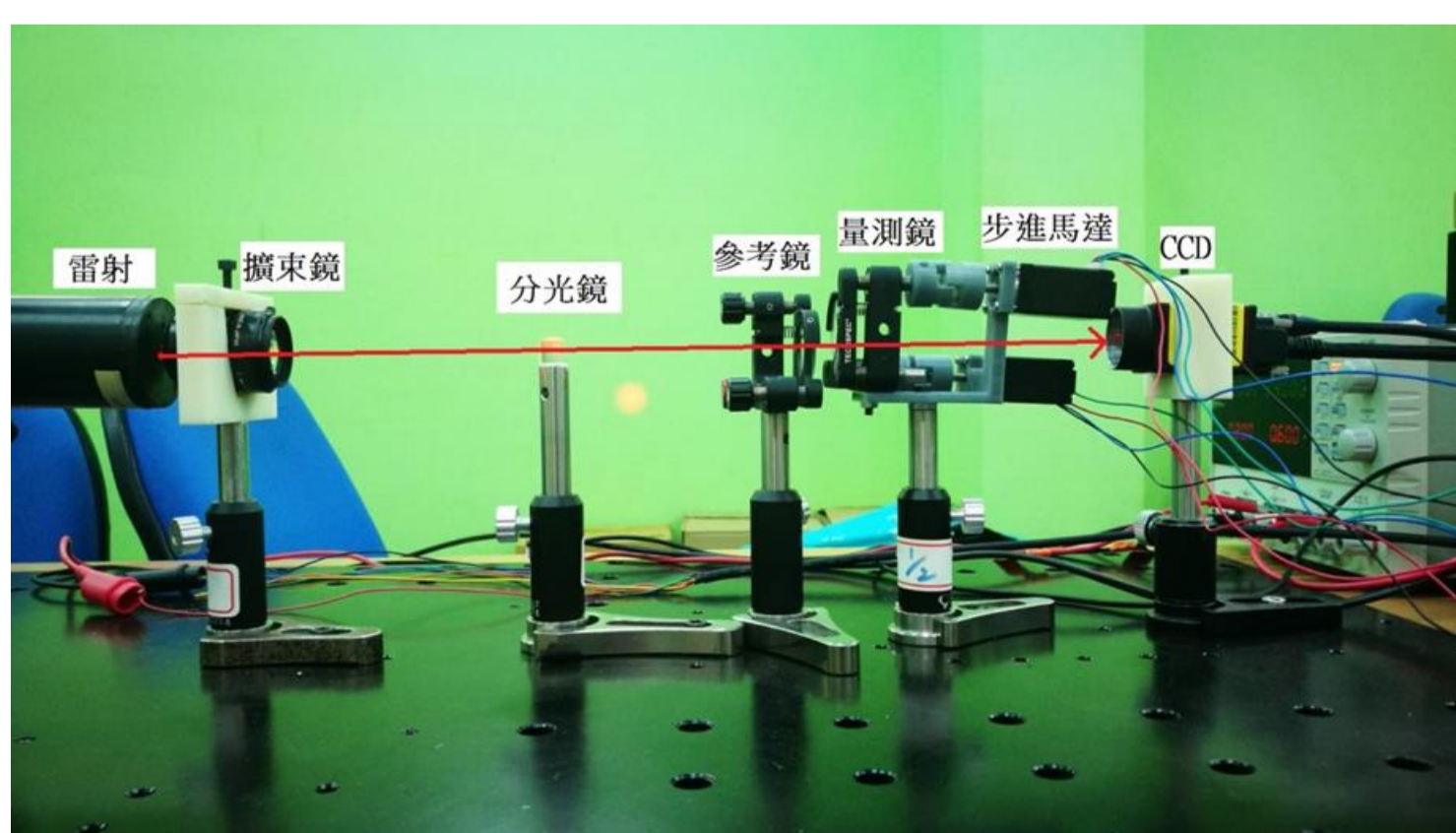
Apple yeast culture



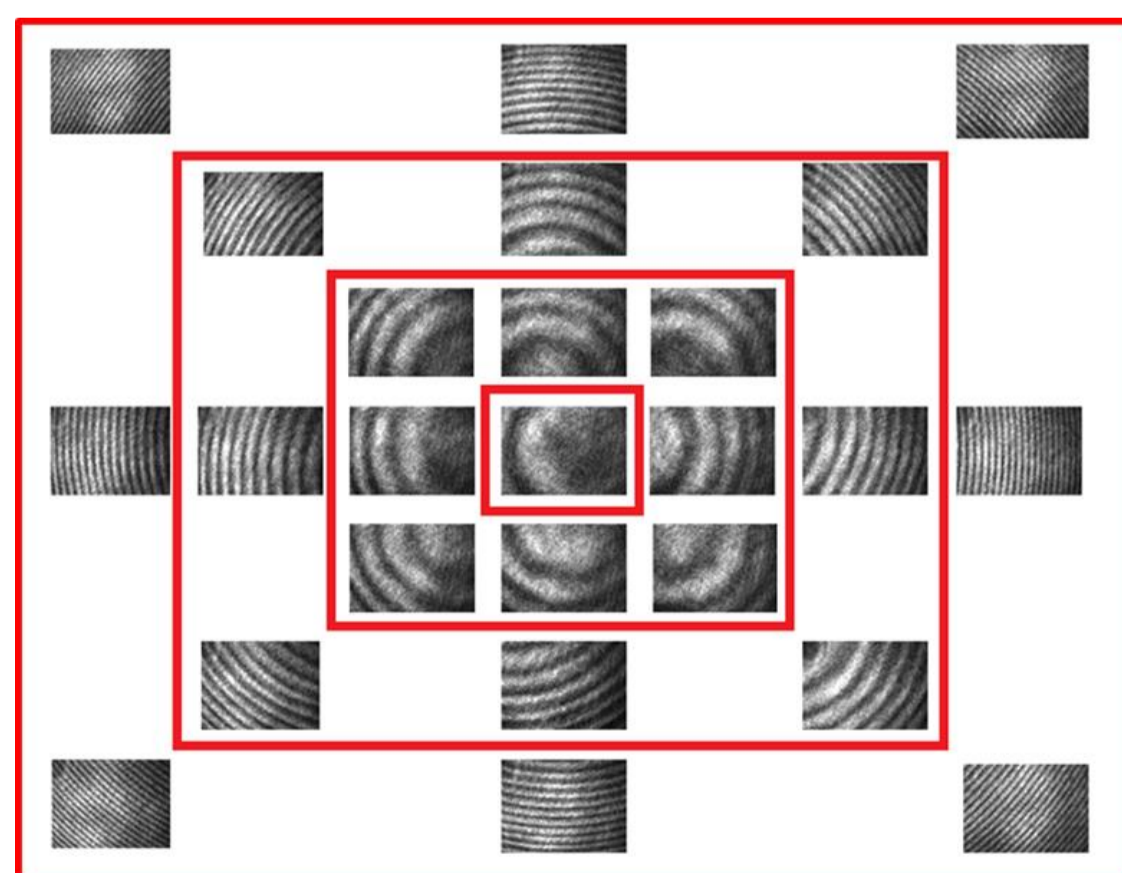
Early detection of spoilage on apples



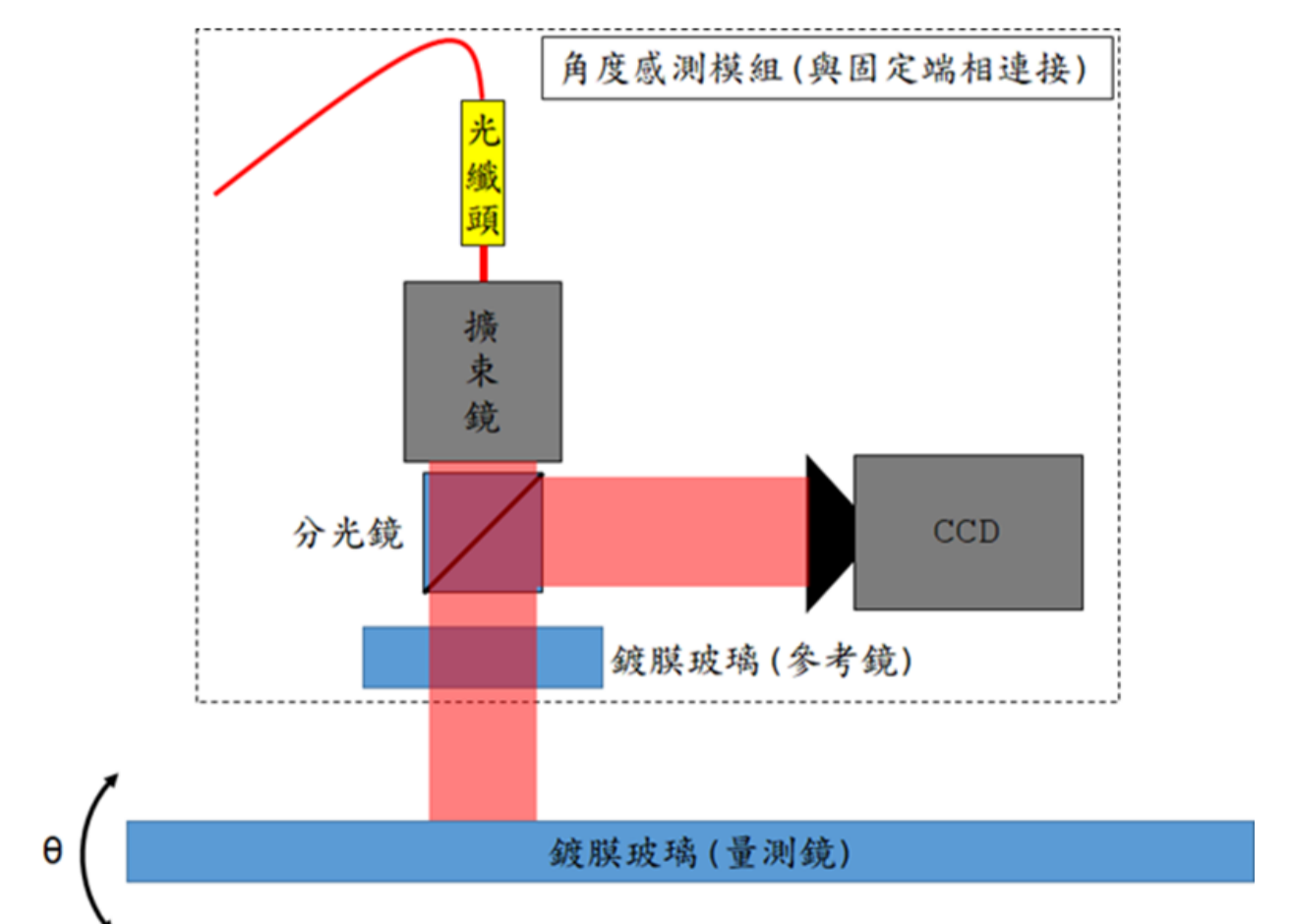
Principal components analysis, PCA



Angular maintenance module



Interferometric pattern for machine learning



Sketch of the automatic leveling system

